

Buffer Vessels

A range of high grade, stainless steel, hot water buffer vessels

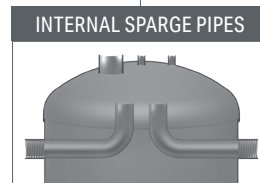
FlexEJ's range of buffer vessels provides additional capacity and capability to any commercial DHW/HWS system.

Designed and manufactured in the UK from 316 stainless steel, the buffers feature a direct feed design with internal sparge pipes to limit mixing during draw off.

The range complements FlexEJ's PhexPak packaged plate heat exchangers, which provide an ideal source of hot water heated indirectly from any suitable heat source.

The buffers carry ancillary connections for TPRV, PRV, AAV, AVV, drain off, immersion heater and temperature sensors or thermostats.

We can also design and manufacture bespoke buffer vessels to meet your needs where the standard range isn't a suitable fit, or the capacity required is greater than 1000L.



Capacities

250L · 500L · 750L · 1000L

Materials

316 stainless steel throughout

Rating

10 barg at 110°C

Options

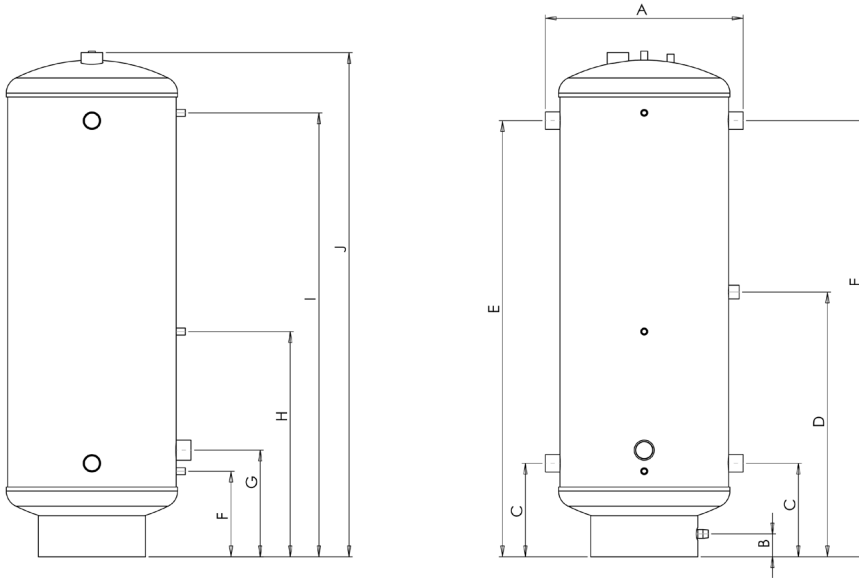
Removable insulation jacket

- fully removable to aid inspection, upgrade and eventual recycling
- available for all standard buffer vessels
- constructed from silicon coated glass fibre cloth and ceramic fibre insulation
- highly flexible with Velcro hook and loop flaps plus draw cords

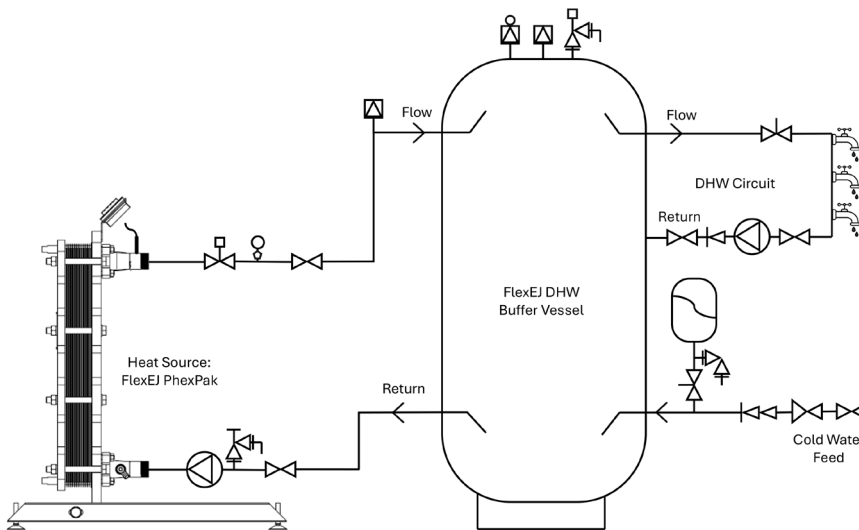


Volume litres	DIM A mm	DIM B mm	DIM C mm	DIM D mm	DIM E mm	DIM F mm	DIM G mm	DIM H mm	DIM I mm	DIM J mm
250	585	90	325	850	1375	295	375	725	1405	1620
500	750	90	360	1005	1660	330	405	855	1685	1940
750	950	90	400	800	1200	370	150	900	1230	1530
1000	950	90	400	1050	1700	370	150	900	1730	2020

Dimensions subject to fabrication tolerances



Semi-instantaneous system with mains boosted cold feed connection



Typical installation only.
Compliance with building regulations,
water by-laws and any other applicable
standards must be checked and
adhered to prior to installation